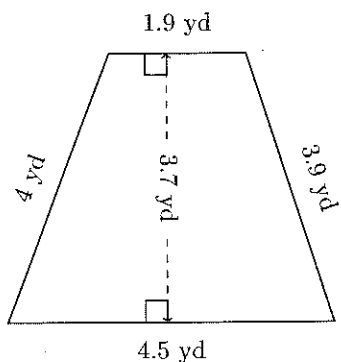


# Area and Perimeter of Trapezoids (A)

Calculate the perimeter

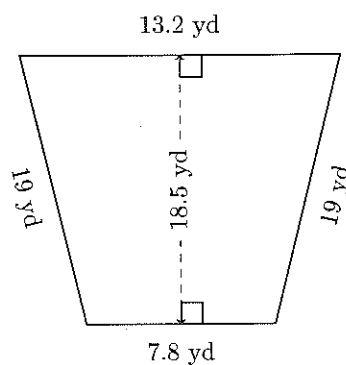
for each trapezoid.

1.



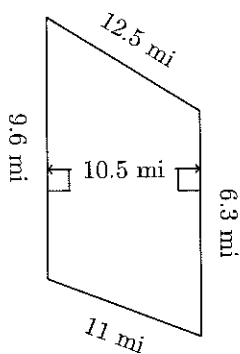
P = ?

2.



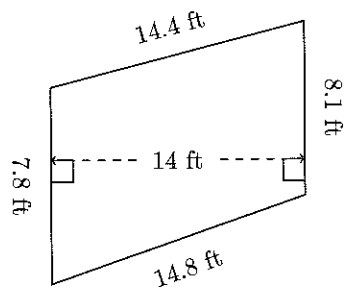
P = ?

3.



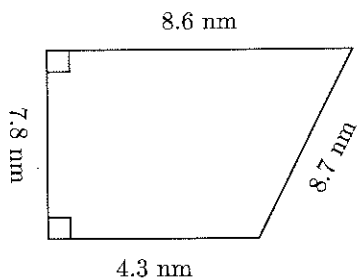
P = ?

4.



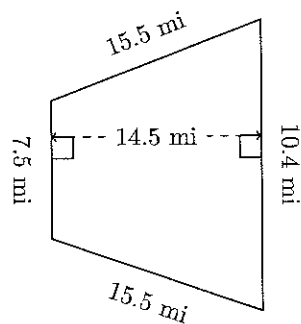
P = ?

5.



P = ?

6.

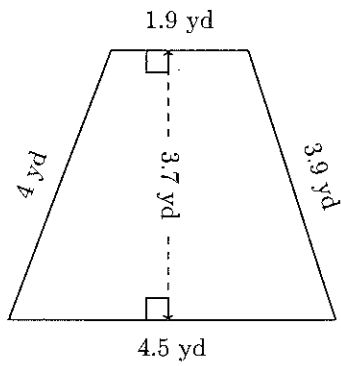


P = ?

# Perimeter of Trapezoids (A) Answers

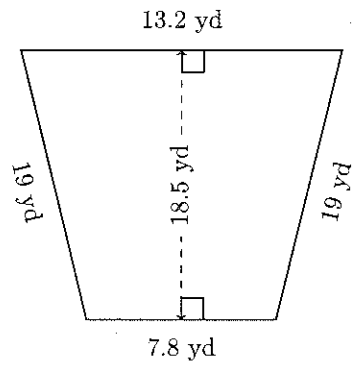
Calculate the perimeter for each trapezoid.

1.



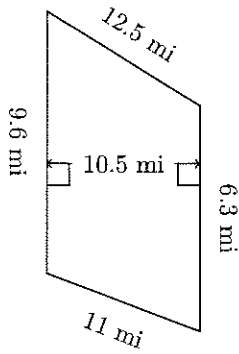
$P = 14.3 \text{ yd}$

2.



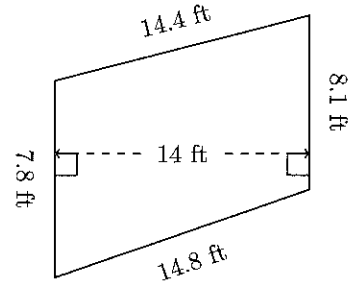
$P = 59 \text{ yd}$

3.



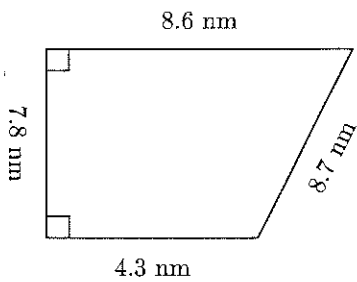
$P = 39.4 \text{ mi}$

4.



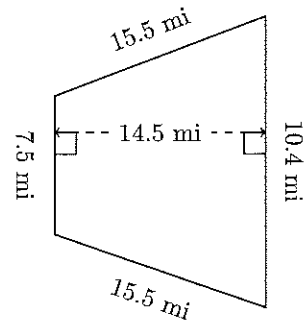
$P = 45.1 \text{ ft}$

5.



$P = 29.4 \text{ nm}$

6.



$P = 48.9 \text{ mi}$